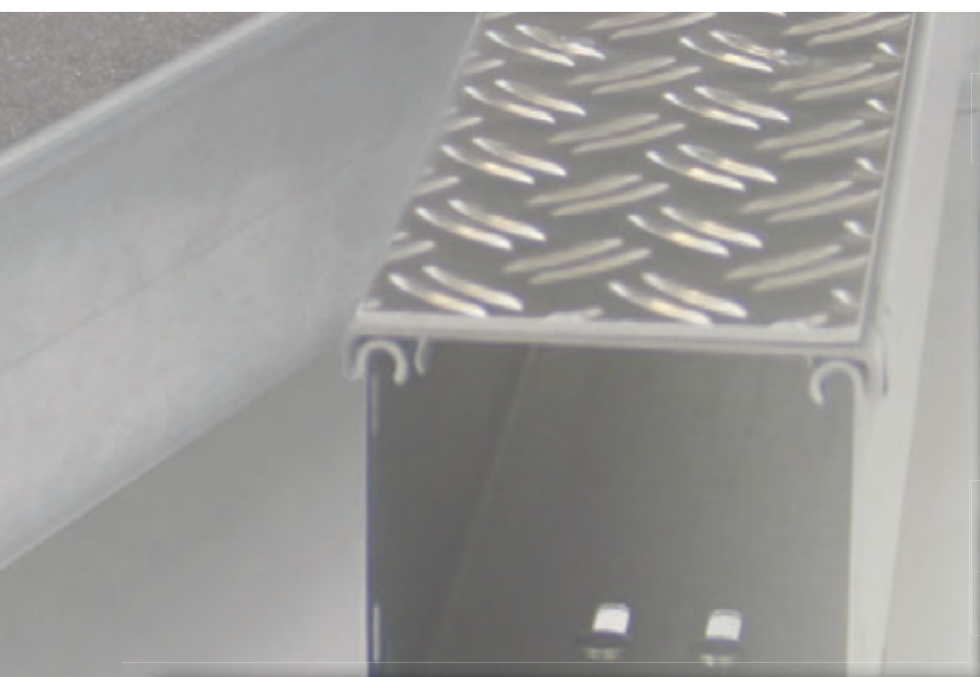


WALKABLE CABLE TRAY

- Walkable Cable Tray
- Covers
- Dividers
- Fittings
- Accessories





Niedax walkable cable tray was developed together with and especially for the automotive industry. Based on Niedax experience in manufacturing cable tray a special heavy duty version, that could be used as a walkway, was created. Different kinds of covers, ex. with aluminum checker plates are available. Flexible horizontal fittings allow an easy installation in between all kinds of production machinery like welding robots.

RSSKP 110...



RDRS...



RSSZS...



RSUVKS 110-1.5 S



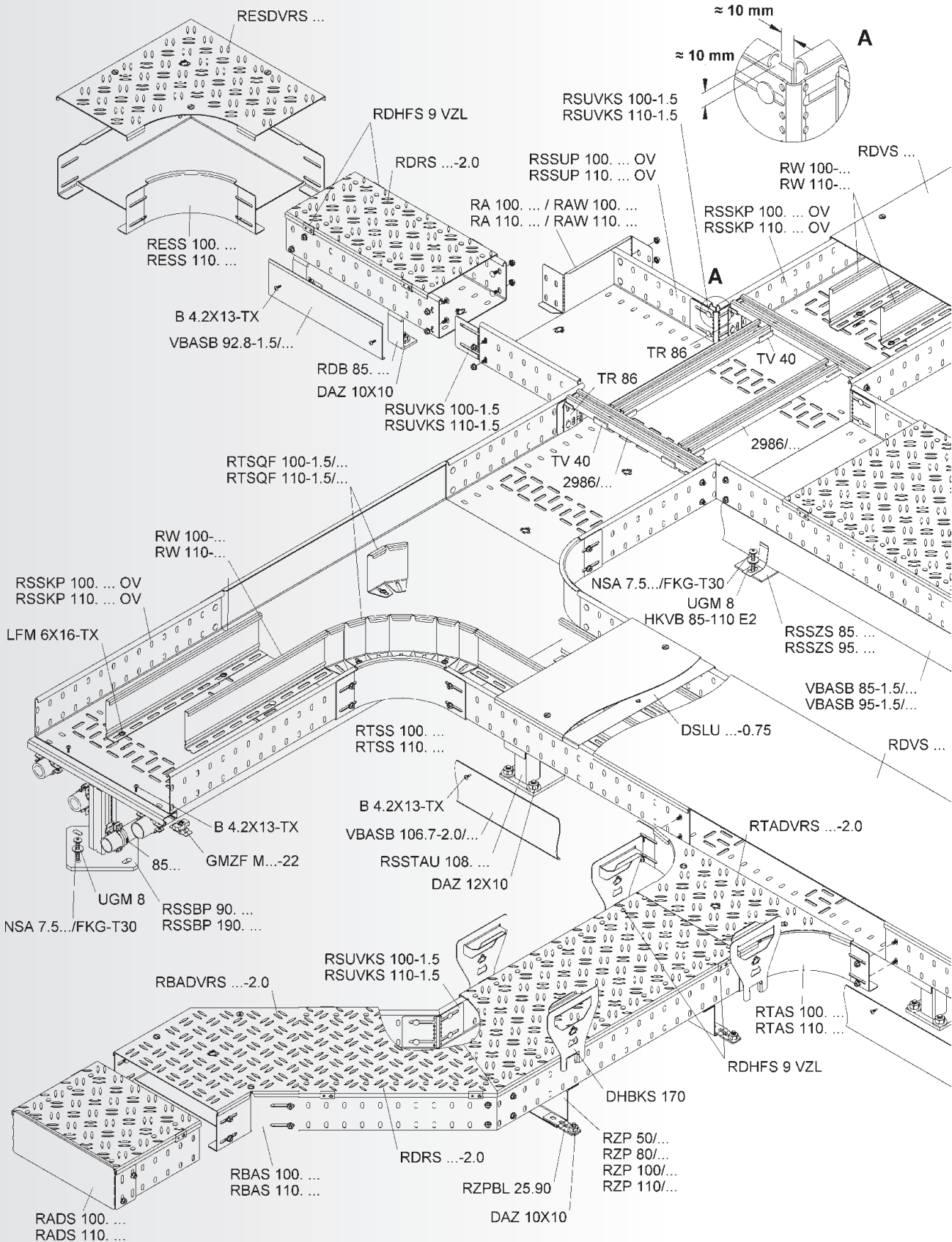
WALKABLE CABLE TRAY SYSTEM

Available Side Rail Heights



SYSTEM	★ Heavy Duty Cable Tray	RSSKP...	100	Page 254	110	Page 257
	★ Heavy Duty Cable Tray	RSSUP...	100	Page 254	110	Page 257
ACCESSORIES	Universal Splice Plate	RSUVKS...	100	Page 254	110	Page 257
	★ Heavy Duty Divider	RW...	100	Page 254	110	Page 257
	Flexible Divider	RTSQF...	100	Page 255	110	Page 258
	Elbow 45°	RBAS...	100	Page 255	110	Page 258
	Elbow 90°	RESS...	100	Page 255	110	Page 258
	Extension Tee	RTAS...	100	Page 255	110	Page 258
	Horizontal Tee	RTSS...	100	Page 256	110	Page 259
	Reducer/Blind End	RA...	100	Page 256	110	Page 259
	Adjustable Horizontal Splice/Reducer/Blind End	RAW...	100	Page 256	110	Page 259
	End Plate with Cover Lock	RADS...	100	Page 256	110	Page 259
	Heavy Duty Cover	RDVS...		Page 260		
	Heavy Duty Antiskid Cover (DIN 51130 class R10)	RDRS...		Page 260		
	Heavy Duty Aluminum Checker Plate Cover (DIN 51130 class R9)	RDVSRSL...		Page 260		
	Heavy Duty Cover for 45° Horizontal Elbow	RBADVS...		Page 260		
	Heavy Duty Antiskid Cover for 45° Horizontal Elbow	RBADVRS...		Page 261		
	Aluminum Checker Plate Cover for 45° Horizontal Elbow	RBADVRSRL...		Page 261		
	Heavy Duty Cover for 90° Horizontal Elbow	RESDVS...		Page 261		
	Heavy Duty Antiskid Cover for 90° Horizontal Elbow	RESDVRS...		Page 261		
	Aluminum Checker Plate Cover for 90° Horizontal Elbow	RESDVRSRL...		Page 262		
	Heavy Duty Cover for Horizontal Extension Tee	RTADVS...		Page 262		
	Heavy Duty Antiskid Cover for Horizontal Extension Tee	RTADVRS...		Page 262		
	Aluminum Checker Plate Cover for Horizontal Extension Tee	RTADVRSRL...		Page 262		
	Heavy Duty Cover for Horizontal Tee	RTSDVS...		Page 263		
	Heavy Duty Antiskid Cover for Horizontal Tee	RTSDVRS...		Page 263		
	Aluminum Checker Plate Cover for Horizontal Tee	RTSDVRSRL...		Page 263		
	Heavy Duty Turnbolt Lock / Turnbolt Lock	RDRS...		Page 264		
	★ Heavy Duty Cover Clamp	RDHFS 9 VZL		Page 265		
	★ Dust Protection Strip	DSL...		Page 265		
	Cover Removing Tool	DHBKS 170 S		Page 265		
	Bearing for Framing Channel	TR 86 S		Page 265		
	Tee-Connector	TV 40		Page 266		
	2986 Framing Channel	2986/...		Page 266		
	Floor Mounting Bracket (height: 50 mm), (height: 80 mm)	RZP 50/... , RZP 80/...		Page 266/267		
	Floor Mounting Bracket (height: 100 mm), (height: 110 mm)	RZP 100/... , RZP 110/...		Page 267		
	Floor Clamp	RZPBL 25.90		Page 267		
	Floor Mounting Bracket	RSSZS...		Page 268		
	Skirting Panel	VBASB...		Page 268		
	Retaining Clip for Skirting Panel	HKVB 85-110 E2		Page 268		
	Floor Stand (height: 85 mm)	RDB 85...		Page 268		
	Skirting Panel	VBASB 92.8-1.5/3000 S		Page 268		
	Floor Stand	RSSTAU 108...		Page 269		
	Skirting Panel	VBASB 106.7-2.0/3000 S		Page 269		
	Floor Stand	RSSBP...		Page 269		
	Large Diameter Washer	UGM...		Page 270		
	Carriage Bolt with Nut	FLM...		Page 270		
	Pan-Head Torx Bolt	LFM 6X16-TX V		Page 270		
	Self-Tapping Screw with Pan-Head	B 4.2X13-TX V		Page 270		
	Expansion Anchor	DAZ...		Page 270		
	Concrete Screw Anchor	NSA 7.5X...		Page 270		





WALKABLE CABLE TRAY SYSTEM

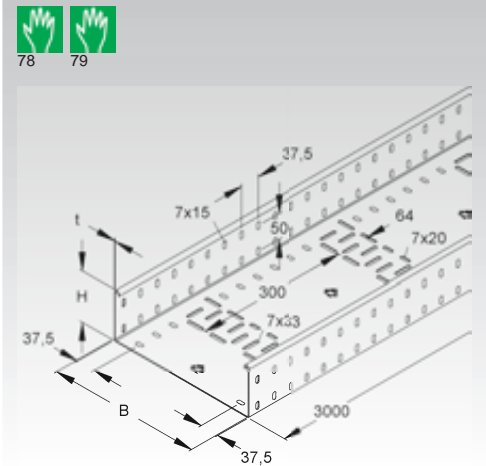
Heavy Duty Cable Tray

ventilated bottom, solid sides, embossed knockouts

Model no.	Height H		Width B		Thick-ness t	Weight per 100 kg	Pack/Box Qty
	mm	Inch	mm	Inch			
S RSSKP 100.100 S OV	100	3,9	100	3,9	2	493,89	2 x 3 m
S RSSKP 100.200 S OV	100	3,9	200	7,9	2	641,66	2 x 3 m
S RSSKP 100.300 S OV	100	3,9	300	11,8	2	789,43	2 x 3 m
S RSSKP 100.400 S OV	100	3,9	400	15,7	2	937,20	2 x 3 m
S RSSKP 100.500 S OV	100	3,9	500	19,7	2	1.084,97	2 x 3 m
S RSSKP 100.600 S OV	100	3,9	600	23,6	2	1.232,74	2 x 3 m

with perforated bottom for floor stand and divider mounting
with 4 prepunched holes for splice plates on each end and embossed knockouts for additional holes that may be required

RSUVKS 100-1.5 S splice plates are not included, 2 pieces are required per section of tray



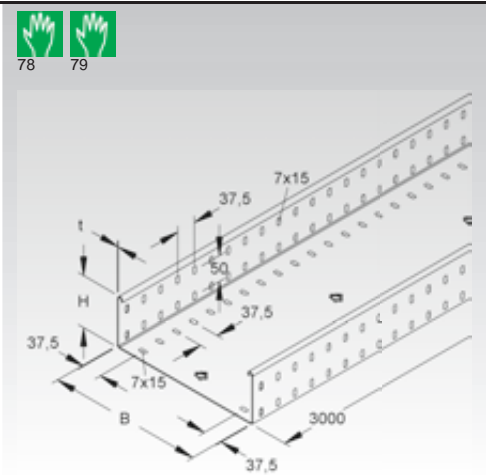
Heavy Duty Cable Tray

with solid bottom, solid sides, embossed knockouts

Model no.	Height H		Width B		Thick-ness t	Weight per 100 kg	Pack/Box Qty
	mm	Inch	mm	Inch			
S RSSUP 100.100 S OV	100	3,9	100	3,9	2	497,65	2 x 3 m
S RSSUP 100.200 S OV	100	3,9	200	7,9	2	654,65	2 x 3 m
S RSSUP 100.300 S OV	100	3,9	300	11,8	2	811,65	2 x 3 m
S RSSUP 100.400 S OV	100	3,9	400	15,7	2	968,17	2 x 3 m
S RSSUP 100.500 S OV	100	3,9	500	19,7	2	1.125,65	2 x 3 m
S RSSUP 100.600 S OV	100	3,9	600	23,6	2	1.282,17	2 x 3 m

with 4 prepunched holes for splice plates on each end and embossed knockouts for additional holes that may be required

RSUVKS 100-1.5 S splice plates are not included, 2 pieces are required per section of tray

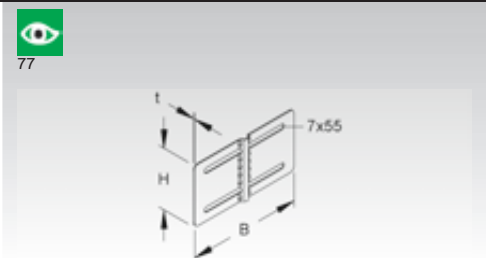


Universal Splice Plate

with rounded ridge for protecting cables at angled joints

Model no.	Height H	Width B	Thick-ness t	Acc. incl.	Weight per 100 kg	Pack/Box Qty
	mm Inch	mm Inch	mm		kg	
S RSUVKS 100-1.5 S	79 3,1	148 5,8	1,5	4 FLM 6X12	15,7	50

for straight and angled horizontal joints



Heavy Duty Divider

with longitudinal hole pattern

Model no.	Height H	Thick-ness t	Acc. incl.	Weight per 100 kg	Pack/Box Qty
	mm Inch	mm		kg	
S RW 100-1.5 S	98 3,9	1,5	4 FLM 6X12	159,60	3 m
S RW 100-2.0 S	98 3,9	2,0	4 FLM 6X12	209,03	3 m

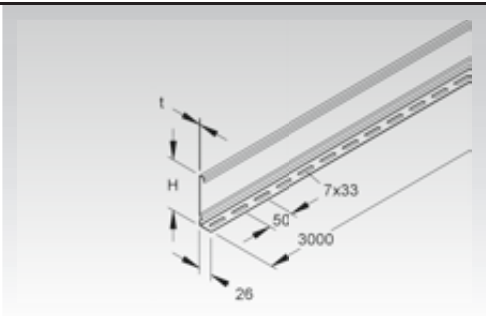
for continuously variable sizing of cable compartments

Minimum number of dividers required to support the walkable covers:

for cover width 100 and 200 mm = none

for cover width 300 mm and 400 mm = 1 piece with a maximum compartment width of 200 mm

for cover width 500 mm and 600 mm = 2 pieces with a maximum compartment width of 200 mm



Flexible Divider

with elongated mounting holes

Model no.	Height H		Thick-ness t	Acc. incl.	Weight per 100 m kg	Pack/Box Qty
	mm	Inch				
S RTSQF 100-1.5/1000 S	98	3,9	1,5	3 FLM 6X12	156,98	1 m

segmented for easy horizontal bending

Minimum number of dividers required to support the walkable covers:

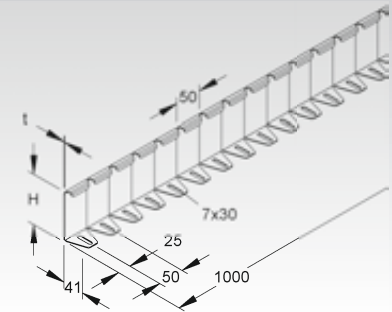
for cover width 100 and 200 mm = none

for cover width 300 mm and 400 mm = 1 piece with a maximum compartment width of 200 mm

for cover width 500 mm and 600 mm = 2 pieces with a maximum compartment width of 200 mm



82

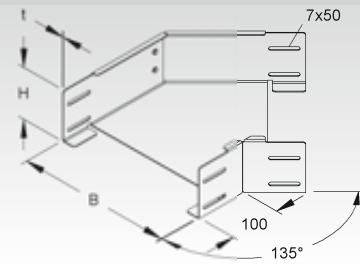


Elbow 45°

solid sides with integrated splice plate

Model no.	Height H		Inside dimension B		Thick-ness t	Acc. incl.	Weight per 100 pcs kg	Pack/Box Qty
	mm	Inch	mm	Inch				
S RBAS 100.100 S	100	3,9	100	3,9	2	8 FLM 6X12	114,28	1
S RBAS 100.200 S	100	3,9	200	7,9	2	8 FLM 6X12	160,42	1
S RBAS 100.300 S	100	3,9	300	11,8	2	8 FLM 6X12	219,56	1
S RBAS 100.400 S	100	3,9	400	15,7	2	8 FLM 6X12	291,71	1
S RBAS 100.500 S	100	3,9	500	19,7	2	8 FLM 6X12	376,87	1
S RBAS 100.600 S	100	3,9	600	23,6	2	8 FLM 6X12	475,03	1

for horizontal 45° deviations

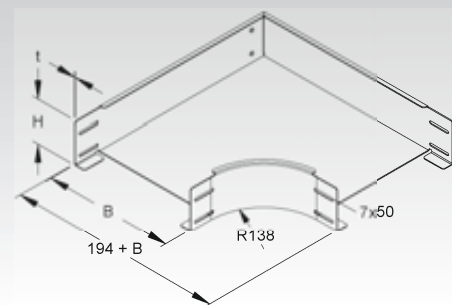


Elbow 90°

solid sides with integrated splice plate

Model no.	Height H		Inside dimension B		Thick-ness t	Acc. incl.	Weight per 100 pcs kg	Pack/Box Qty
	mm	Inch	mm	Inch				
S RESS 100.100 S	100	3,9	100	3,9	2	8 FLM 6X12	240,70	1
S RESS 100.200 S	100	3,9	200	7,9	2	8 FLM 6X12	362,90	1
S RESS 100.300 S	100	3,9	300	11,8	2	8 FLM 6X12	516,51	1
S RESS 100.400 S	100	3,9	400	15,7	2	8 FLM 6X12	701,51	1
S RESS 100.500 S	100	3,9	500	19,7	2	8 FLM 6X12	917,92	1
S RESS 100.600 S	100	3,9	600	23,6	2	8 FLM 6X12	1.165,72	1

for horizontal 90° deviations

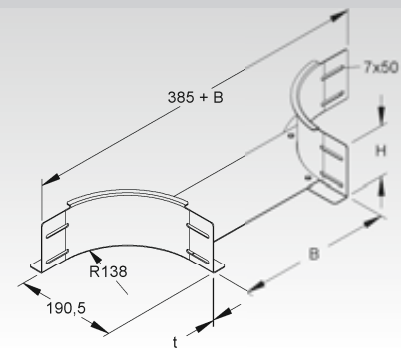


Extension Tee

solid sides with integrated splice plate

Model no.	Height H		Inside dimension B		Thick-ness t	Acc. incl.	Weight per 100 pcs kg	Pack/Box Qty
	mm	Inch	mm	Inch				
S RTAS 100.100 S	100	3,9	100	3,9	2	8 FLM 6X12	172,55	1
S RTAS 100.200 S	100	3,9	200	7,9	2	8 FLM 6X12	193,27	1
S RTAS 100.300 S	100	3,9	300	11,8	2	8 FLM 6X12	213,99	1
S RTAS 100.400 S	100	3,9	400	15,7	2	8 FLM 6X12	234,72	1
S RTAS 100.500 S	100	3,9	500	19,7	2	8 FLM 6X12	255,44	1
S RTAS 100.600 S	100	3,9	600	23,6	2	8 FLM 6X12	276,17	1

for horizontal tee connections of cable trays



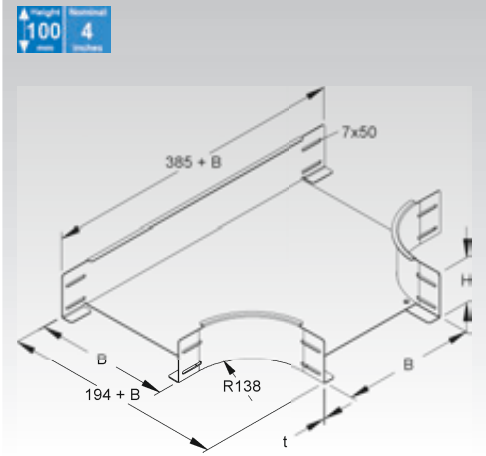
WALKABLE CABLE TRAY SYSTEM

Horizontal Tee

solid sides with integrated splice plate

Model no.	Height H		Inside dimension B		Thick-ness t	Acc. incl.	Weight per 100 pcs kg	Pack/Box Qty
	mm	Inch	mm	Inch				
S RTSS 100.100 S	100	3,9	100	3,9	2	12 FLM 6X12	319,79	1
S RTSS 100.200 S	100	3,9	200	7,9	2	12 FLM 6X12	441,34	1
S RTSS 100.300 S	100	3,9	300	11,8	2	12 FLM 6X12	598,87	1
S RTSS 100.400 S	100	3,9	400	15,7	2	12 FLM 6X12	787,81	1
S RTSS 100.500 S	100	3,9	500	19,7	2	12 FLM 6X12	1.008,15	1
S RTSS 100.600 S	100	3,9	600	23,6	2	12 FLM 6X12	1.259,89	1

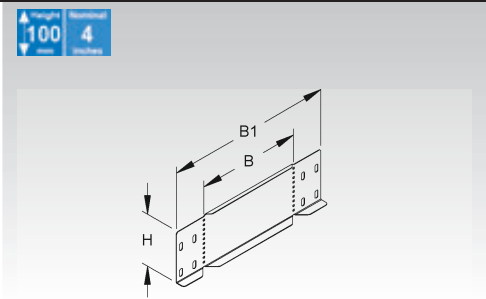
for horizontal tee connections of cable trays with identical width



Reducer/Blind End

Model no.	Height H		Width B		Width B1	Acc. incl.	Weight per 100 piece kg	Pack/Box Qty	
	mm	Inch	mm	Inch					
S RA 100.200 S	100	3,9	200	7,9	322	12,7	4 FLM 6X12	32,20	20
S RA 100.400 S	100	3,9	400	15,7	522	20,6	4 FLM 6X12	51,62	20
S RA 100.500 S	100	3,9	500	19,7	622	24,5	4 FLM 6X12	61,33	20
S RA 100.600 S	100	3,9	600	23,6	722	28,4	4 FLM 6X12	71,04	20

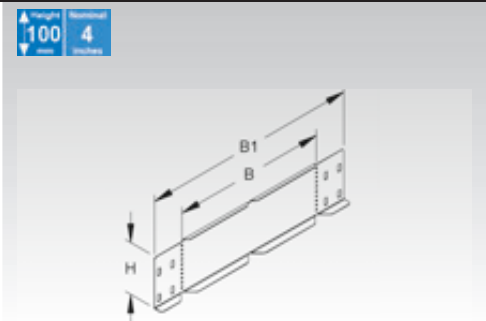
can be used as a blind end or as a reducer for cable trays



Adjustable Horizontal Splice/Reducer/Blind End

Model no.	Height H		Width B		Width B1	Acc. incl.	Weight per 100 piece kg	Pack/Box Qty	
	mm	Inch	mm	Inch					
S RAW 100.100 S	100	3,9	100	3,9	222	8,7	4 FLM 6X12	22,14	20
S RAW 100.300 S	100	3,9	300	11,8	422	16,6	4 FLM 6X12	41,56	20

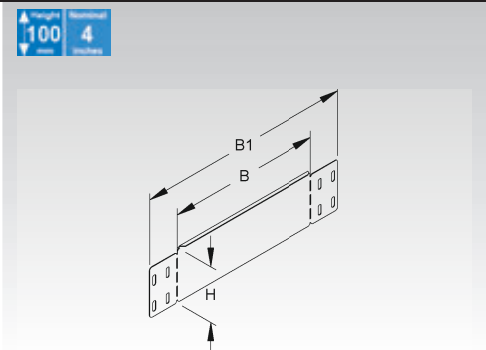
can be used as a blind end or as a reducer for cable trays



Blind End with Cover Lock

Model no.	Height H		Width B		Width B1	Acc. incl.	Weight per 100 kg	Pack/Box Qty	
	mm	Inch	mm	Inch					
S RADS 100.100 S	107,5	4,2	100	3,9	222	8,7	4 FLM 6X12	20,72	20
S RADS 100.200 S	107,5	4,2	200	7,9	322	12,7	4 FLM 6X12	29,66	20
S RADS 100.300 S	107,5	4,2	300	11,8	422	16,6	4 FLM 6X12	38,60	20
S RADS 100.400 S	107,5	4,2	400	15,7	522	20,6	4 FLM 6X12	47,53	20
S RADS 100.500 S	107,5	4,2	500	19,7	622	24,5	4 FLM 6X12	56,47	20
S RADS 100.600 S	107,5	4,2	600	23,6	722	28,4	4 FLM 6X12	65,41	20

for terminating walkable cable tray, with elevated flange to prevent covers from sliding lengthwise



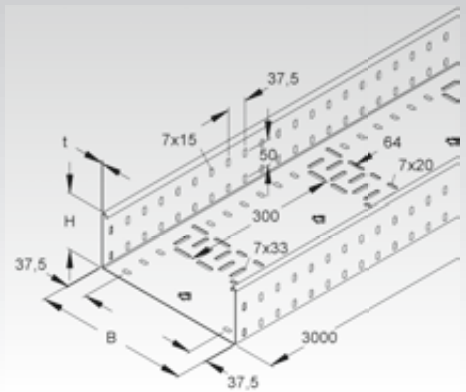
Heavy Duty Cable Tray

ventilated bottom, solid sides, embossed knockouts

Model no.	Height H		Width B		Thick-ness t	Weight per 100 kg	Pack/Box Qty
	mm	Inch	mm	Inch			
S RSSKP 110.100 S OV	110	4,3	100	3,9	2	525,39	2 x 3 m
S RSSKP 110.200 S OV	110	4,3	200	7,9	2	673,07	2 x 3 m
S RSSKP 110.300 S OV	110	4,3	300	11,8	2	820,83	2 x 3 m
S RSSKP 110.400 S OV	110	4,3	400	15,7	2	968,60	2 x 3 m
S RSSKP 110.500 S OV	110	4,3	500	19,7	2	1.116,37	2 x 3 m
S RSSKP 110.600 S OV	110	4,3	600	23,6	2	1.264,14	2 x 3 m

with perforated bottom for floor stand and divider mounting
with 4 prepunched holes for splice plates on each end and embossed knockouts for additional holes that may be required

RSUVKS 110-1.5 S splice plates are not included, 2 pieces are required per section of tray



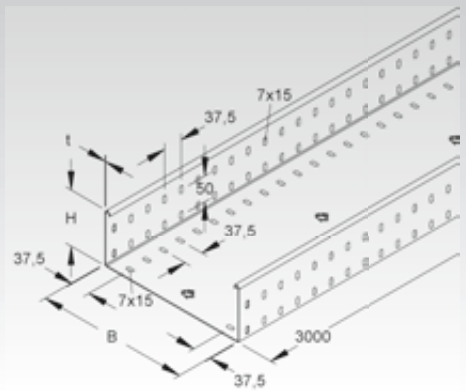
Heavy Duty Cable Tray

with solid bottom, solid sides, embossed knockouts

Model no.	Height H		Width B		Thick-ness t	Weight per 100 kg	Pack/Box Qty
	mm	Inch	mm	Inch			
S RSSUP 110.100 S OV	110	4,3	100	3,9	2	529,05	2 x 3 m
S RSSUP 110.200 S OV	110	4,3	200	7,9	2	686,05	2 x 3 m
S RSSUP 110.300 S OV	110	4,3	300	11,8	2	843,05	2 x 3 m
S RSSUP 110.400 S OV	110	4,3	400	15,7	2	1.000,05	2 x 3 m
S RSSUP 110.500 S OV	110	4,3	500	19,7	2	1.157,05	2 x 3 m
S RSSUP 110.600 S OV	110	4,3	600	23,6	2	1.314,05	2 x 3 m

with 4 prepunched holes for splice plates on each end and embossed knockouts for additional holes that may be required

RSUVKS 110-1.5 S splice plates are not included, 2 pieces are required per section of tray

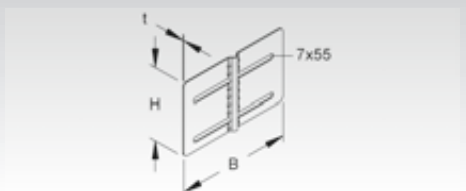


Universal Splice Plate

with rounded ridge for protecting cables at angled joints

Model no.	Height H	Width B	Thick-ness t	Acc. incl.	Weight per 100 kg	Pack/Box Qty
	mm Inch	mm Inch	mm		kg	
S RSUVKS 110-1.5 S	94 3,7	148 5,8	1,5	4 FLM 6X12	18,33	50

for straight and angled horizontal joints



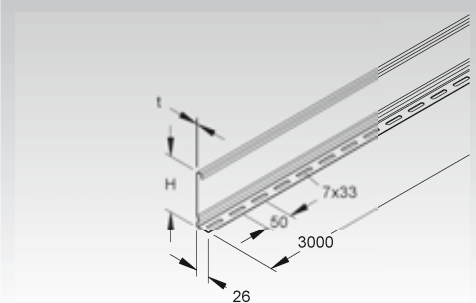
Heavy Duty Divider

with longitudinal hole pattern

Model no.	Height H	Thick-ness t	Acc. incl.	Weight per 100 kg	Pack/Box Qty
	mm Inch	mm		kg	
S RW 110-1.5 S	108 4,3	1,5	4 FLM 6X12	171,37	3 m
S RW 110-2.0 S	108 4,3	2,0	4 FLM 6X12	224,73	3 m

for continuously variable sizing of cable compartments

Minimum number of dividers required to support the walkable covers:
for cover width 100 and 200 mm = none
for cover width 300 mm and 400 mm = 1 piece with a maximum compartment width of 200 mm
for cover width 500 mm and 600 mm = 2 pieces with a maximum compartment width of 200 mm



WALKABLE CABLE TRAY SYSTEM

Flexible Divider

with elongated mounting holes

Model no.	Height H mm Inch	Thick-ness t mm	Acc. incl.	Weight per 100 m kg	Pack/Box Qty
S RTSQF 110-1.5/1000 S	108 4,3	1,5	3 FLM 6X12	168,72	1 m

segmented for easy horizontal bending

Minimum number of dividers required to support the walkable covers:

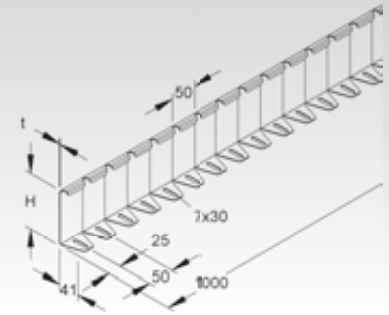
for cover width 100 and 200 mm = none

for cover width 300 mm and 400 mm = 1 piece with a maximum compartment width of 200 mm

for cover width 500 mm and 600 mm = 2 pieces with a maximum compartment width of 200 mm



82

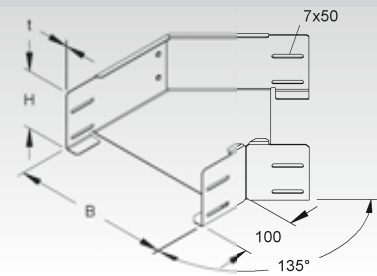


Elbow 45°

solid sides with integrated splice plate

Model no.	Height H mm Inch	Inside dimension B mm Inch	Thick-ness t mm	Acc. incl.	Weight per 100 pcs kg	Pack/Box Qty
S RBAS 110.100	110 4,3	100 3,9	2	8 FLM 6X12	121,79	1
S RBAS 110.200	110 4,3	200 7,9	2	8 FLM 6X12	169,23	1
S RBAS 110.300	110 4,3	300 11,8	2	8 FLM 6X12	229,67	1
S RBAS 110.400	110 4,3	400 15,7	2	8 FLM 6X12	303,39	1
S RBAS 110.500	110 4,3	500 19,7	2	8 FLM 6X12	389,58	1
S RBAS 110.600	110 4,3	600 23,6	2	8 FLM 6X12	489,04	1

for horizontal 45° deviations

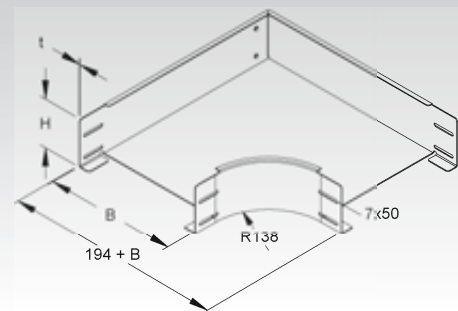


Elbow 90°

solid sides with integrated splice plate

Model no.	Height H mm Inch	Inside dimension B mm Inch	Thick-ness t mm	Acc. incl.	Weight per 100 pcs kg	Pack/Box Qty
S RESS 110.100	110 4,3	100 3,9	2	8 FLM 6X12	255,75	1
S RESS 110.200	110 4,3	200 7,9	2	8 FLM 6X12	381,09	1
S RESS 110.300	110 4,3	300 11,8	2	8 FLM 6X12	537,84	1
S RESS 110.400	110 4,3	400 15,7	2	8 FLM 6X12	725,98	1
S RESS 110.500	110 4,3	500 19,7	2	8 FLM 6X12	945,53	1
S RESS 110.600	110 4,3	600 23,6	2	8 FLM 6X12	1.196,47	1

for horizontal 90° deviations

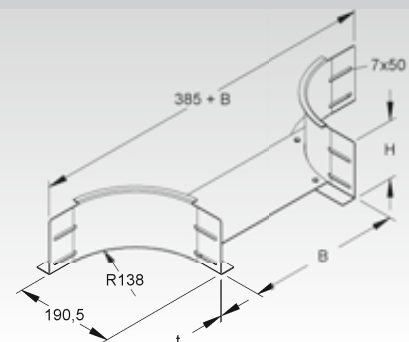


Extension Tee

solid sides with integrated splice plate

Model no.	Height H mm Inch	Inside dimension B mm Inch	Thick-ness t mm	Acc. incl.	Weight per 100 pcs kg	Pack/Box Qty
S RTAS 110.100	110 4,3	100 3,9	2	8 FLM 6X12	182,77	1
S RTAS 110.200	110 4,3	200 7,9	2	8 FLM 6X12	203,50	1
S RTAS 110.300	110 4,3	300 11,8	2	8 FLM 6X12	224,22	1
S RTAS 110.400	110 4,3	400 15,7	2	8 FLM 6X12	244,95	1
S RTAS 110.500	110 4,3	500 19,7	2	8 FLM 6X12	265,67	1
S RTAS 110.600	110 4,3	600 23,6	2	8 FLM 6X12	286,39	1

for horizontal tee connections of cable trays

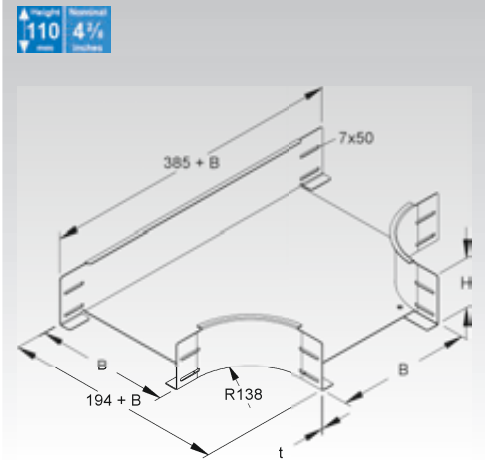


Horizontal Tee

solid sides with integrated splice plate

	Model no.	Height H		Inside dimension B		Thick-ness t	Acc. incl.	Weight per 100 pcs kg	Pack/Box Qty
		mm	Inch	mm	Inch				
S	RTSS 110.100	110	4,3	100	3,9	2	12 FLM 6X12	333,04	1
S	RTSS 110.200	110	4,3	200	7,9	2	12 FLM 6X12	460,75	1
S	RTSS 110.300	110	4,3	300	11,8	2	12 FLM 6X12	619,86	1
S	RTSS 110.400	110	4,3	400	15,7	2	12 FLM 6X12	810,36	1
S	RTSS 110.500	110	4,3	500	19,7	2	12 FLM 6X12	1.032,27	1
S	RTSS 110.600	110	4,3	600	23,6	2	12 FLM 6X12	1.285,58	1

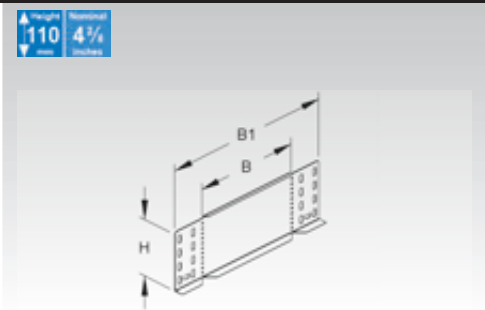
for horizontal tee connections of cable trays with identical width



Reducer/Blind End

	Model no.	Height H		Width B		Width B1		Acc. incl.	Weight per 100 pcs/pc. kg	Pack/Box Qty
		mm	Inch	mm	Inch	mm	Inch			
S	RA 110.200	110	4,3	200	7,9	322	12,7	4 FLM 6X12	34,39	20
S	RA 110.400	110	4,3	400	15,7	522	20,6	4 FLM 6X12	55,38	20
S	RA 110.600	110	4,3	600	23,6	722	28,4	4 FLM 6X12	76,37	20

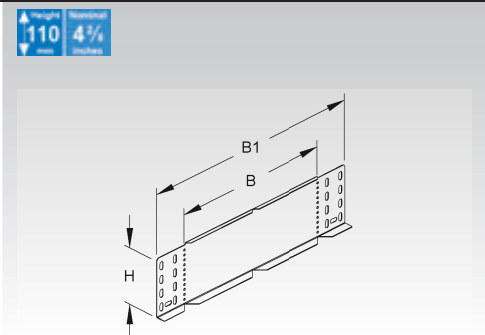
can be used as blind end or as reducer for cable trays



Adjustable Horizontal Splice/Reducer/Blind End

	Model no.	Height H		Width B		Width B1		Acc. incl.	Weight per 100 pcs kg	Pack/Box Qty
		mm	Inch	mm	Inch	mm	Inch			
S	RAW 110.100	110	4,3	100	3,9	222	8,7	4 FLM 6X12	23,60	20
S	RAW 110.300	110	4,3	300	11,8	422	16,6	4 FLM 6X12	44,59	20

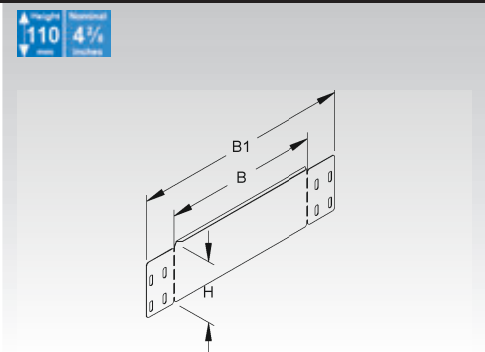
can be used as blind end or as reducer for cable trays



Blind End with Cover Lock

	Model no.	Height H		Width B		Width B1		Acc. incl.	Weight per 100 kg	Pack/Box Qty
		mm	Inch	mm	Inch	mm	Inch			
S	RADS 110.100 S	117,5	4,6	100	3,9	222	8,7	4 FLM 6X12	22,43	20
S	RADS 110.200 S	117,5	4,6	200	7,9	322	12,7	4 FLM 6X12	32,15	20
S	RADS 110.300 S	117,5	4,6	300	11,8	422	16,6	4 FLM 6X12	41,88	20
S	RADS 110.400 S	117,5	4,6	400	15,7	522	20,6	4 FLM 6X12	51,60	20
S	RADS 110.500 S	117,5	4,6	500	19,7	622	24,5	4 FLM 6X12	61,32	20
S	RADS 110.600 S	117,5	4,6	600	23,6	722	28,4	4 FLM 6X12	71,05	20

for terminating walkable cable tray, with elevated flange to prevent covers from sliding lengthwise



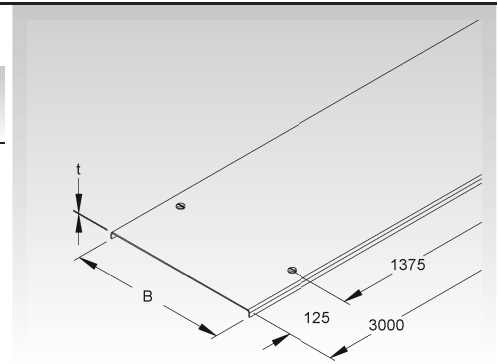
WALKABLE CABLE TRAY SYSTEM

Heavy Duty Cover

with preinstalled turnbolt locks

Model no.	Inside dimension B		Thick-ness t	Weight per 100 m	Pack/Box Qty
	mm	Inch			
S RDVS 100	105	4,1	2	203,8	2 x 3 m
S RDVS 200	205	8,1	2	360,8	2 x 3 m
S RDVS 300	305	12	2	517,8	2 x 3 m
S RDVS 400	405	15,9	2	674,8	2 x 3 m
S RDVS 500	505	19,9	2	831,8	2 x 3 m
S RDVS 600	605	23,8	2	988,8	2 x 3 m

Please install the requested number of heavy duty dividers to support the walkable cover.



Heavy Duty Antiskid Cover (DIN 51130 class R10)

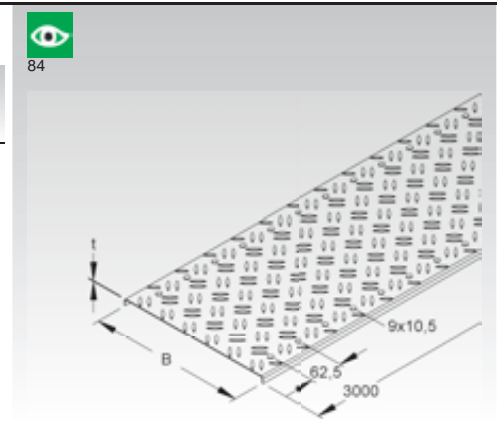
with embossed notches for turnbolt installation

Model no.	Inside dimension B		Thick-ness t	Weight per 100 m	Pack/Box Qty
	mm	Inch			
S RDRS 100-2.0 S	105	4,1	3,25	201,91	3 m
S RDRS 200-2.0 S	205	8,1	3,25	359,19	3 m
S RDRS 300-2.0 S	305	12	3,25	516,48	3 m
S RDRS 400-2.0 S	405	15,9	3,25	673,78	3 m
S RDRS 500-2.0 S	505	19,9	3,25	831,07	3 m
S RDRS 600-2.0 S	605	23,8	3,25	988,36	3 m

The nominal thickness "t" includes the diamond pattern.

Please install the requested number of heavy duty dividers to support the walkable cover.

RDRS 9x2 turnbolt locks are not included.



Heavy Duty Aluminum Checker Plate Cover (DIN 51130 class R9)

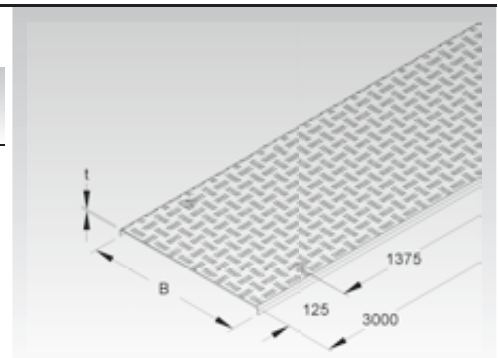
with preinstalled turnbolt locks

Model no.	Inside dimension B		Thick-ness t	Weight per 100 m	Pack/Box Qty
	mm	Inch			
S RDVSRSL 100	105	4,1	4	243,32	3 m
S RDVSRSL 200	205	8,1	4	440,41	3 m
S RDVSRSL 300	305	12	4	637,57	3 m
S RDVSRSL 400	405	15,9	4	834,73	3 m
S RDVSRSL 500	505	19,9	4	1.031,89	3 m
S RDVSRSL 600	605	23,8	4	1.229,05	3 m

The nominal thickness "t" includes the diamond pattern.

Please install the requested number of heavy duty dividers to support the walkable cover.

These covers are no longer stock items. Special order only.

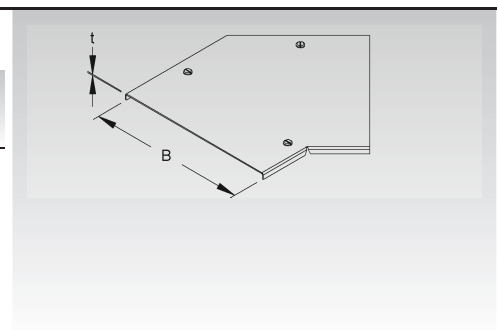


Heavy Duty Cover for 45° Horizontal Elbow

with preinstalled turnbolt locks

Model no.	Inside dimension B		Thick-ness t	Weight per 100 pcs	Pack/Box Qty
	mm	Inch			
S RBADVS 100	105	4,1	2	49,77	1
S RBADVS 200	205	8,1	2	102,68	1
S RBADVS 300	305	12	2	168,59	1
S RBADVS 400	405	15,9	2	247,51	1
S RBADVS 500	505	19,9	2	339,43	1
S RBADVS 600	605	23,8	2	444,36	1

Please install the requested number of heavy duty dividers to support the walkable cover.

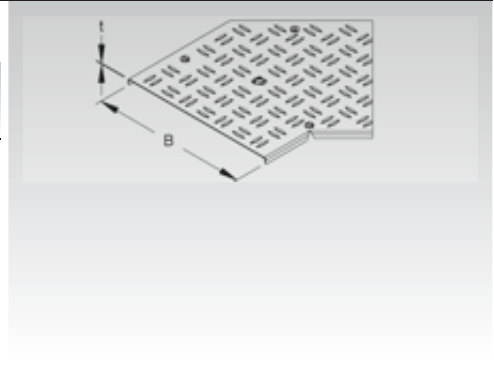


Heavy Duty Antiskid Cover for 45° Horizontal Elbow

with preinstalled turnbolt locks

	Model no.	Inside dimension B mm Inch	Thick-ness t mm	Weight per 100 pcs kg	Pack/Box Qty
S	RBADVRS 100-2.0 S	105 4,1	3,25	49,81	1
S	RBADVRS 200-2.0 S	205 8,1	3,25	102,76	1
S	RBADVRS 300-2.0 S	305 12	3,25	168,79	1
S	RBADVRS 400-2.0 S	405 15,9	3,25	247,87	1
S	RBADVRS 500-2.0 S	505 19,9	3,25	339,93	1
S	RBADVRS 600-2.0 S	605 23,8	3,25	445,04	1

The nominal thickness "t" includes the diamond pattern.
Please install the requested number of heavy duty dividers to support the walkable cover.



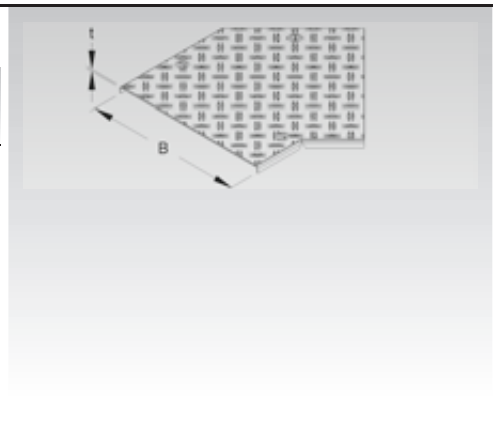
Aluminum Checker Plate Cover for 45° Horizontal Elbow

with preinstalled turnbolt locks

	Model no.	Inside dimension B mm Inch	Thick-ness t mm	Weight per 100 kg	Pack/Box Qty
S	RBADVRSRL 100 S	105 4,1	3,5	59,25	1
S	RBADVRSRL 200 S	205 8,1	3,5	125,21	1
S	RBADVRSRL 300 S	305 12	3,5	207,56	1
S	RBADVRSRL 400 S	405 15,9	3,5	306,19	1
S	RBADVRSRL 500 S	505 19,9	3,5	421,15	1
S	RBADVRSRL 600 S	605 23,8	3,5	552,45	1

The nominal thickness "t" includes the diamond pattern.
Please install the requested number of heavy duty dividers to support the walkable cover.

These covers are no longer stock items. Special order only.

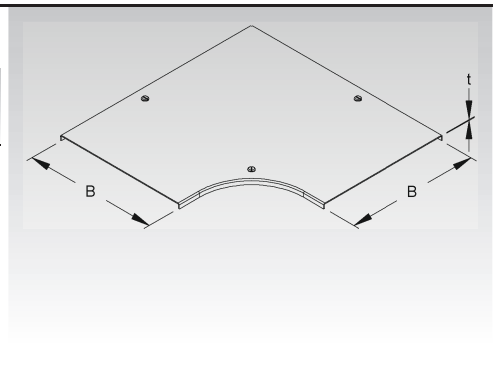


Heavy Duty Cover for 90° Horizontal Elbow

with preinstalled turnbolt locks

	Model no.	Inside dimension B mm Inch	Thick-ness t mm	Weight per 100 pcs kg	Pack/Box Qty
S	RESDVS 100	105 4,1	2	103,56	1
S	RESDVS 200	205 8,1	2	215,43	1
S	RESDVS 300	305 12	2	358,69	1
S	RESDVS 400	405 15,9	2	533,35	1
S	RESDVS 500	505 19,9	2	739,42	1
S	RESDVS 600	605 23,8	2	976,88	1

Please install the requested number of heavy duty dividers to support the walkable cover.

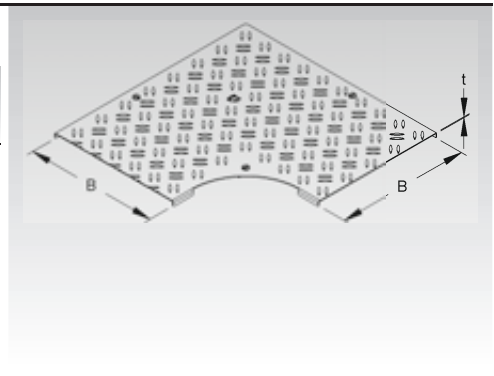


Heavy Duty Antiskid Cover for 90° Horizontal Elbow

with preinstalled turnbolt locks

	Model no.	Inside dimension B mm Inch	Thick-ness t mm	Weight per 100 pcs kg	Pack/Box Qty
S	RESDVRS 100-2.0 S	105 4,1	3,25	99,34	1
S	RESDVRS 200-2.0 S	205 8,1	3,25	211,39	1
S	RESDVRS 300-2.0 S	305 12	3,25	354,91	1
S	RESDVRS 400-2.0 S	405 15,9	3,25	529,88	1
S	RESDVRS 500-2.0 S	505 19,9	3,25	736,30	1
S	RESDVRS 600-2.0 S	605 23,8	3,25	974,24	1

The nominal thickness "t" includes the diamond pattern.
Please install the requested number of heavy duty dividers to support the walkable cover.



WALKABLE CABLE TRAY SYSTEM

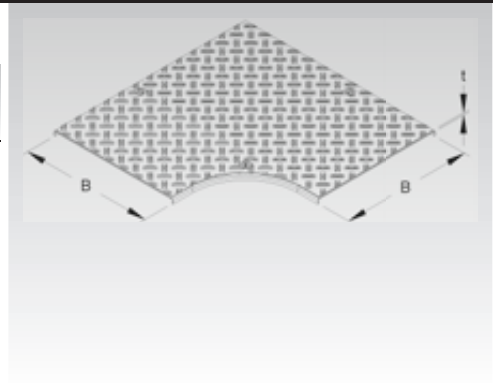
Aluminum Checker Plate Cover for 90° Horizontal Elbow

with preinstalled turnbolt locks

Model no.	Inside dimension B mm Inch	Thick-ness t mm	Weight per 100 pcs kg	Pack/Box Qty
S RESDVSRL 100	105 4,1	3,5	124,52	1
S RESDVSRL 200	205 8,1	3,5	263,86	1
S RESDVSRL 400	405 15,9	3,5	660,85	1
S RESDVSRL 300	305 12	3,5	442,63	1
S RESDVSRL 500	505 19,9	3,5	918,49	1
S RESDVSRL 600	605 23,8	3,5	1.215,57	1

The nominal thickness "t" includes the diamond pattern.
Please install the requested number of heavy duty dividers to support the walkable cover.

These covers are no longer stock items. Special order only.

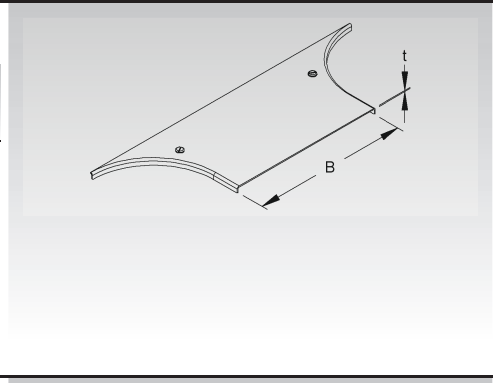


Heavy Duty Cover for Horizontal Extension Tee

with preinstalled turnbolt locks

Model no.	Inside dimension B mm Inch	Thick-ness t mm	Weight per 100 pcs kg	Pack/Box Qty
S RTADVS 100	105 4,1	2	55,89	1
S RTADVS 200	205 8,1	2	86,20	1
S RTADVS 300	305 12	2	116,50	1
S RTADVS 400	405 15,9	2	146,80	1
S RTADVS 500	505 19,9	2	177,10	1
S RTADVS 600	605 23,8	2	207,40	1

Please install the requested number of heavy duty dividers to support the walkable cover.

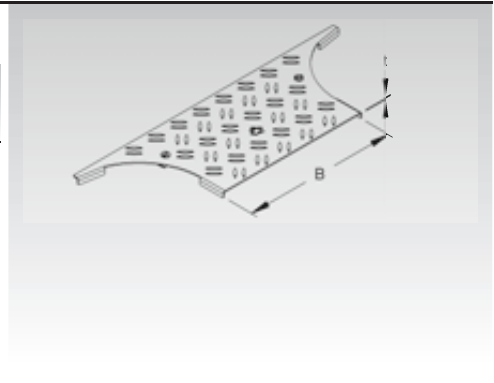


Heavy Duty Antiskid Cover for Horizontal Extension Tee

with preinstalled turnbolt locks

Model no.	Inside dimension B mm Inch	Thick-ness t mm	Weight per 100 piece kg	Pack/Box Qty
S RTADVRS 100-2.0 S	105 4,1	3,25	53,64	1
S RTADVRS 200-2.0 S	205 8,1	3,25	84,99	1
S RTADVRS 300-2.0 S	305 12	3,25	116,34	1
S RTADVRS 400-2.0 S	405 15,9	3,25	147,69	1
S RTADVRS 500-2.0 S	505 19,9	3,25	179,04	1
S RTADVRS 600-2.0 S	605 23,8	3,25	210,39	1

The nominal thickness "t" includes the diamond pattern.
Please install the requested number of heavy duty dividers to support the walkable cover.



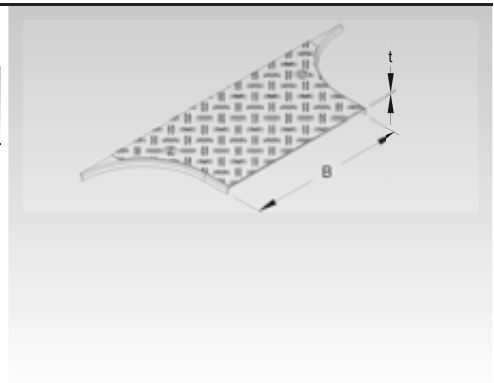
Aluminum Checker Plate Cover for Horizontal Extension Tee

with preinstalled turnbolt locks

Model no.	Width B mm Inch	Thick-ness t mm	Weight per 100 pcs kg	Pack/Box Qty
S RTADVSRSL 100	105 4,1	3,5	66,56	1
S RTADVSRSL 200	205 8,1	3,5	104,58	1
S RTADVSRSL 300	305 12	3,5	142,59	1
S RTADVSRSL 400	405 15,9	3,5	180,61	1
S RTADVSRSL 500	505 19,9	3,5	218,62	1
S RTADVSRSL 600	605 23,8	3,5	256,63	1

The nominal thickness "t" includes the diamond pattern.
Please install the requested number of heavy duty dividers to support the walkable cover.

These covers are no longer stock items. Special order only.

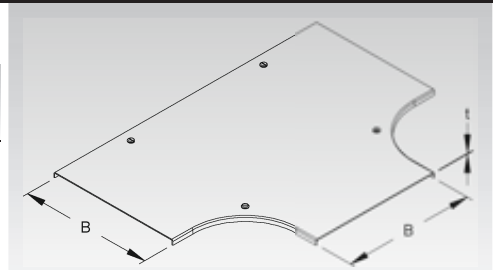


Heavy Duty Cover for Horizontal Tee

with preinstalled turnbolt locks

	Model no.	Inside dimension B		Thick-ness t	Weight per 100 pcs kg	Pack/Box Qty
		mm	Inch			
S	RTSDVS 100	105	4,1	2	146,05	1
S	RTSDVS 200	205	8,1	2	286,45	1
S	RTSDVS 300	305	12	2	458,25	1
S	RTSDVS 400	405	15,9	2	661,45	1
S	RTSDVS 500	505	19,9	2	896,05	1
S	RTSDVS 600	605	23,8	2	1.162,04	1

Please install the requested number of heavy duty dividers to support the walkable cover.



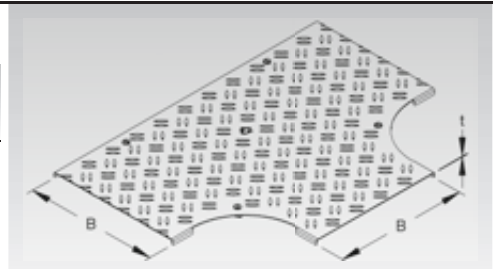
Heavy Duty Antiskid Cover for Horizontal Tee

with preinstalled turnbolt locks

	Model no.	Inside dimension B		Thick-ness t	Weight per 100 pcs kg	Pack/Box Qty
		mm	Inch			
S	RTSDVRS 100-2.0 S	105	4,1	3,25	137,24	1
S	RTSDVRS 200-2.0 S	205	8,1	3,25	277,56	1
S	RTSDVRS 300-2.0 S	305	12	3,25	449,36	1
S	RTSDVRS 400-2.0 S	405	15,9	3,25	652,59	1
S	RTSDVRS 500-2.0 S	505	19,9	3,25	887,33	1
S	RTSDVRS 600-2.0 S	605	23,8	3,25	1.153,49	1

The nominal thickness "t" includes the diamond pattern.

Please install the requested number of heavy duty dividers to support the walkable cover.



Aluminum Checker Plate Cover for Horizontal Tee

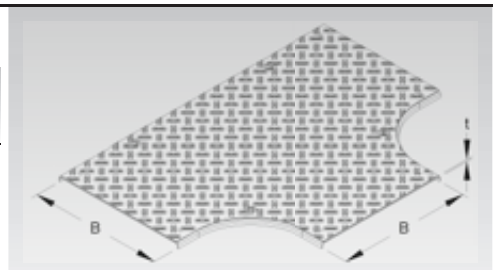
with preinstalled turnbolt locks

	Model no.	Inside dimension B		Thick-ness t	Weight per 100 pcs kg	Pack/Box Qty
		mm	Inch			
S	RTSDVSRSL 100	105	4,1	3,5	176,38	1
S	RTSDVSRSL 200	205	8,1	3,5	352,09	1
S	RTSDVSRSL 300	305	12	3,5	567,24	1
S	RTSDVSRSL 400	405	15,9	3,5	821,81	1
S	RTSDVSRSL 500	505	19,9	3,5	1.115,82	1
S	RTSDVSRSL 600	605	23,8	3,5	1.449,27	1

The nominal thickness "t" includes the diamond pattern.

Please install the requested number of heavy duty dividers to support the walkable cover.

These covers are no longer stock items. Special order only.



WALKABLE CABLE TRAY SYSTEM

Heavy Duty Turnbolt Lock

incl. locking nut according to DIN EN ISO 10511

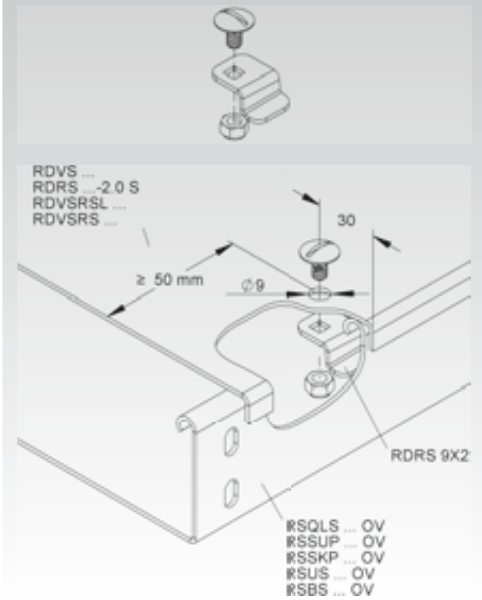
Model no.	Thick-ness t mm	Acc. incl.	Weight per 100 pcs kg	Pack/ Box Qty
S RDRS 9X2	2	1 FL 6X12-S V, 1 SMS 6 V	1,84	20

Suitable for: covers RDSV..., RDRS..., RDVSRSL... and RDVSR...

Not sufficient for securing covers to tray installed vertically or sideways nor for securing covers against windloads. Please use self tapping screws, steel cable ties or coverhinges in addition.



84



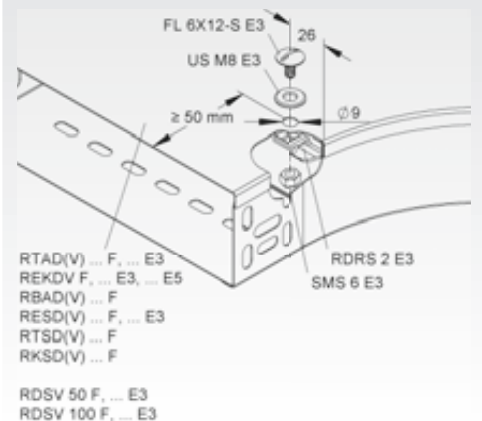
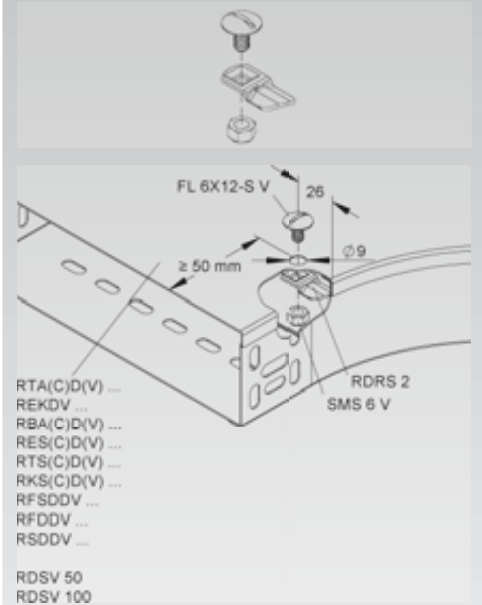
Turnbolt Lock

incl. locking nut

Model no.	Acc. incl.	Weight per 100 pcs kg	Pack/ Box Qty
S RDRS 2	1 FL 6X12-S V, 1 SMS 6 V	1,3	100

Suitable for: all R-series fitting covers and RSV 50.100 distribution tray covers

Not sufficient for securing covers to tray installed vertically or sideways nor for securing covers against windloads. Please use self tapping screws, steel cable ties or coverhinges in addition.



Heavy Duty Cover Clamp

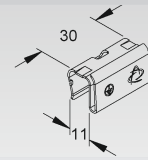
Model no.	Weight per 100 kg	Pack/Box Qty
VZL RDHFS 9 VZL	1,07	60

Suitable for: all heavy duty covers in S and F finish for cable trays and fittings as well as for vertical ladder enclosure panels

Not sufficient for securing covers against windloads. Please use self tapping screws, steel cable ties or coverhinges in addition.



83



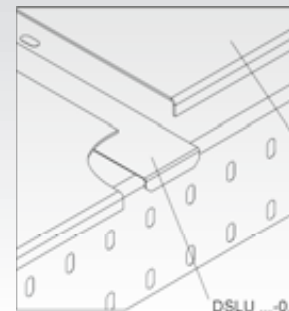
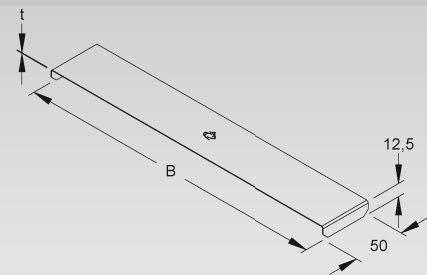
Dust Protection Strip

U-shaped

	Model no.	Width B		Thick-ness t mm	Weight per 100 kg	Pack/Box Qty
		mm	Inch			
★	S DSLU 100-0.75 S	104	4,1	0,75	3,69	1
★	S DSLU 200-0.75 S	204	8	0,75	6,63	1
★	S DSLU 300-0.75 S	304	12	0,75	9,58	1
★	S DSLU 400-0.75 S	404	15,9	0,75	12,52	1
★	S DSLU 500-0.75 S	504	19,8	0,75	15,46	1
★	S DSLU 600-0.75 S	604	23,8	0,75	18,41	1

to be installed under straight joints of cable tray covers

Suitable for: all walkable tray covers



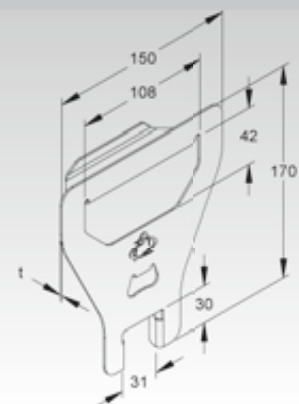
RDS ...
RDRS ...-2.0
RDSRSL ...
RDSRS ...
RDVS ...
RDVSRSL
RDVSR

DSLU ...-0.75

Cover Removing Tool

Model no.	Thick-ness t mm	Weight per 100 kg	Pack/Box Qty
S DHBKS 170 S	1,5	39,97	10

to deinstall walkable tray covers



WALKABLE CABLE TRAY SYSTEM

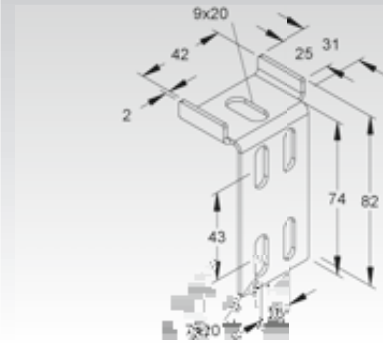
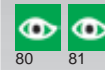
Bearing for Framing Channel

to support walkable tray covers with framing channel

Model no.	Height H		Width B		Depth T	Thick-ness t	Acc. incl.	Weight per 100 kg	Pack/Box Qty
	mm	Inch	mm	Inch					
S TR 86 S	82	3,2	46	1,8	31	2	2 FLM 6X16 F	7,67	20

2 pieces per bearing required

Suitable for: framing channel 2986...

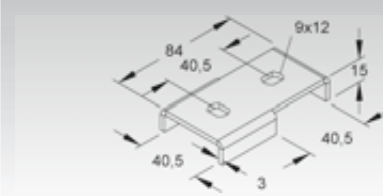


Tee-Connector

Model no.	Weight per 100 kg	Pack/Box Qty
G TV 40	10,85	100 pc.

Suitable for: framing channel (width 40 mm) 2986...

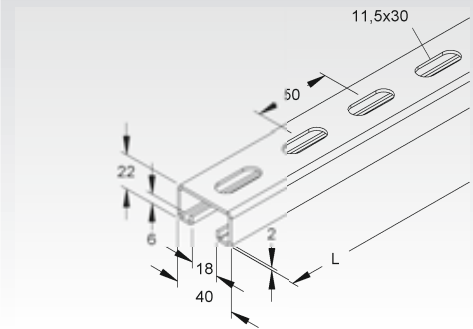
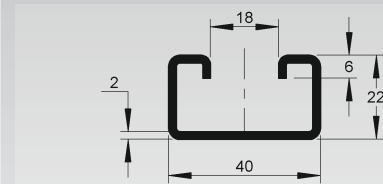
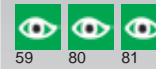
hardware not included



2986 Framing Channel

C-profile, slot width 18 mm, perforated, according to DIN EN 60715 standard

Model no.	Length L		Perforation	Distance between drill holes		Weight per 100 m/kg	Pack/Box Qty
	mm	Inch		mm	mm Inch		
S 2986/100 SL	100	3,9	11,5x30	50	2	14,91	1
S 2986/200 SL	200	7,9	11,5x30	50	2	29,81	1
S 2986/300 SL	300	11,8	11,5x30	50	2	44,72	1
S 2986/400 SL	400	15,7	11,5x30	50	2	59,63	1
S 2986/500 SL	500	19,7	11,5x30	50	2	74,53	1
S 2986/600 SL	600	23,6	11,5x30	50	2	89,44	1
S 2986/3 SL	3000	118,1	11,5x30	50	2	149,10	5 x 3 m

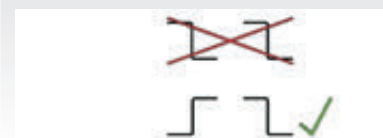
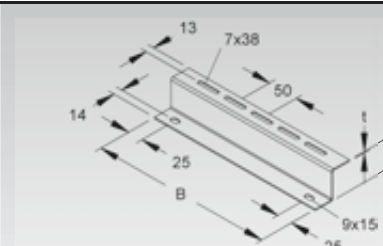


Floor Mounting Bracket (height: 50 mm)

with slotted holes

Model no.	Height H	Width B	Thick-ness t	Acc. incl.	Weight per 100 pcs kg	Pack/Box Qty
S RZP 50/100	50	100	2	2 FLM 6X12	18,32	10
S RZP 50/200	50	200	2	2 FLM 6X12	34,76	10
S RZP 50/300	50	300	2	2 FLM 6X12	51,21	10
S RZP 50/400	50	400	2	2 FLM 6X12	67,65	10
S RZP 50/500	50	500	2	2 FLM 6X12	83,43	10
S RZP 50/600	50	600	2	2 FLM 6X12	100,54	10

Alternate mounting of Z-shaped bracket is strongly recommended.

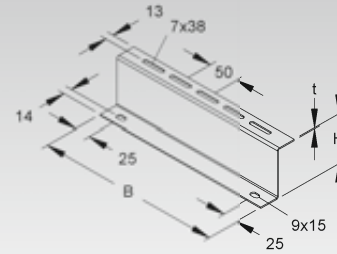


Floor Mounting Bracket (height: 80 mm)

with slotted holes

	Model no.	Height H		Width B		Thick-ness t mm	Acc. incl.	Weight per 100 pcs kg	Pack/Box Qty
		mm	Inch	mm	Inch				
S	RZP 80/100	80	3,1	100	3,9	2	2 FLM 6X12	23,18	10
S	RZP 80/200	80	3,1	200	7,9	2	2 FLM 6X12	44,50	10
S	RZP 80/300	80	3,1	300	11,8	2	2 FLM 6X12	65,81	10
S	RZP 80/400	80	3,1	400	15,7	2	2 FLM 6X12	87,12	10
S	RZP 80/500	80	3,1	500	19,7	2	2 FLM 6X12	108,43	10
S	RZP 80/600	80	3,1	600	23,6	2	2 FLM 6X12	129,74	10

Alternate mounting of Z-shaped bracket is strongly recommended.

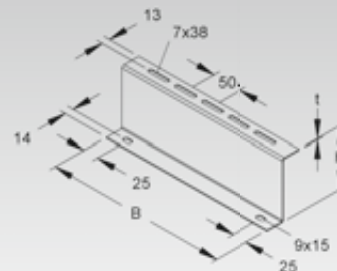


Floor Mounting Bracket (height: 100 mm)

with slotted holes

	Model no.	Height H		Width B		Thick-ness t mm	Acc. incl.	Weight per 100 piece/kg	Pack/Box Qty
		mm	Inch	mm	Inch				
S	RZP 100/100 S	102	4	100	3,9	2	2 FLM 6X12	26,32	10
S	RZP 100/200 S	102	4	200	7,9	2	2 FLM 6X12	50,78	10
S	RZP 100/300 S	102	4	300	11,8	2	2 FLM 6X12	75,23	10
S	RZP 100/400 S	102	4	400	15,7	2	2 FLM 6X12	99,68	10
S	RZP 100/500 S	102	4	500	19,7	2	2 FLM 6X12	124,13	10
S	RZP 100/600 S	102	4	600	23,6	2	2 FLM 6X12	148,58	10
S	RZP 100/3000 S	102	4	3000	118,1	2	2 FLM 6X12	732,66	1

Alternate mounting of Z-shaped bracket is strongly recommended.

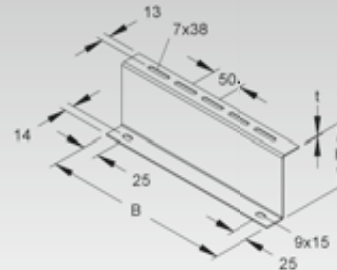


Floor Mounting Bracket (height: 110 mm)

with slotted holes

	Model no.	Height H		Width B		Thick-ness t mm	Acc. incl.	Weight per 100 pcs kg	Pack/Box Qty
		mm	Inch	mm	Inch				
S	RZP 110/100 S	110	4,3	100	3,9	2	2 FLM 6X12	27,46	10
S	RZP 110/200 S	110	4,3	200	7,9	2	2 FLM 6X12	53,21	10
S	RZP 110/300 S	110	4,3	300	11,8	2	2 FLM 6X12	78,97	10
S	RZP 110/400 S	110	4,3	400	15,7	2	2 FLM 6X12	104,73	10
S	RZP 110/500 S	110	4,3	500	19,7	2	2 FLM 6X12	130,49	10
S	RZP 110/600 S	110	4,3	600	23,6	2	2 FLM 6X12	156,25	10
S	RZP 110/3000 S	110	4,3	3000	118,1	2	2 FLM 6X12	755,80	1

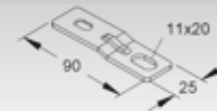
Alternate mounting of Z-shaped bracket is strongly recommended.



Floor Clamp

	Model no.	Width B		Length L	Thick-ness t mm	Weight per 100 pc. kg	Pack/Box Qty
		mm	Inch				
V	RZPBL 25.90	25	1	90	3,5	3	50

for fixing premounted RZP... brackets to the floor



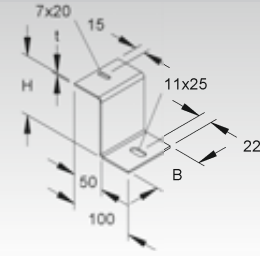
WALKABLE CABLE TRAY SYSTEM

Floor Mounting Bracket

Z-shaped

	Model no.	Height H		Width B		Thick-ness t	Weight per 100	Pack/Box Qty
		mm	Inch	mm	Inch			
F	RSSZS 85.40 F	85	3,3	40	1,6	3	17,52	50
F	RSSZS 85.80 F	85	3,3	80	3,1	3	36,03	50
F	RSSZS 95.40 F	95	3,7	40	1,6	3	18,56	50
F	RSSZS 95.80 F	95	3,7	80	3,1	3	38,10	50

2 pieces required per supporting point

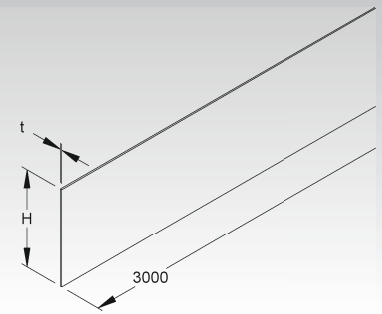


Skirting Panel

	Model no.	Height H		Length L		Thick-ness t	Weight per 100	Pack/Box Qty
		mm	Inch	mm	Inch			
S	VBASB 85-1.5/3000 S	85	3,3	3000	118,1	1,5	100,09	3 m
S	VBASB 95-1.5/3000 S	95	3,7	3000	118,1	1,5	111,86	3 m

for shielding the space underneath walkable cable trays

Suitable for: floor mounting brackets RSSZS 85... and 95...

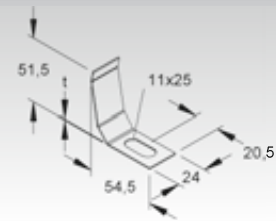


Retaining Clip for Skirting Panel

	Model no.	Height H		Width B		Length L		Thick-ness t	Weight per 100	Pack/Box Qty
		mm	Inch	mm	Inch	mm	Inch			
E2	HKVB 85-110 E2	51,5	2	54,5	2,1	24	0,9	1	1,61	500

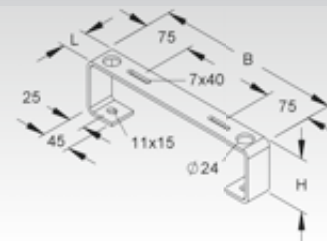
for attaching VBASB... skirting panels to RSSZS... floor mounting brackets

Suitable for: skirting panel VBASB 85... and 95...



Floor Stand

	Model no.	Height H		Width B		Length L		Thick-ness t	Acc. incl.	Weight per 100	Pack/Box Qty
		mm	Inch	mm	Inch	mm	Inch				
V	RDB 85.100 V	85	3,3	100	3,9	50	2	5	2 FLM 6X16 F	60,3	1
V	RDB 85.200 V	85	3,3	200	7,9	40	1,6	5	2 FLM 6X16 F	62,1	1
V	RDB 85.300 V	85	3,3	300	11,8	40	1,6	5	2 FLM 6X16 F	77,8	1
V	RDB 85.400 V	85	3,3	400	15,7	40	1,6	5	2 FLM 6X16 F	93,5	1
V	RDB 85.500 V	85	3,3	500	19,7	40	1,6	5	2 FLM 6X16 F	109,2	1
V	RDB 85.600 V	85	3,3	600	23,6	40	1,6	5	2 FLM 6X16 F	124,9	1



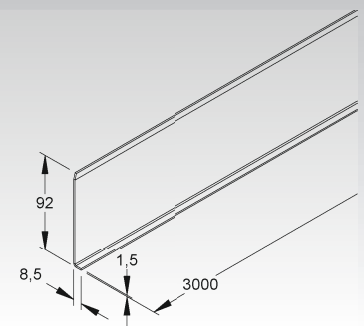
Skirting Panel

	Model no.	Height H		Width B		Length L		Thick-ness t	Weight per 100	Pack/Box Qty
		mm	Inch	mm	Inch	mm	Inch			
S	VBASB 92.8-1.5/3000 S	92	3,6	8,5	0,3	3000	118,1	1,5	115,27	3 m

for shielding the space underneath walkable cable trays

Suitable for: floor stand RDB 85...

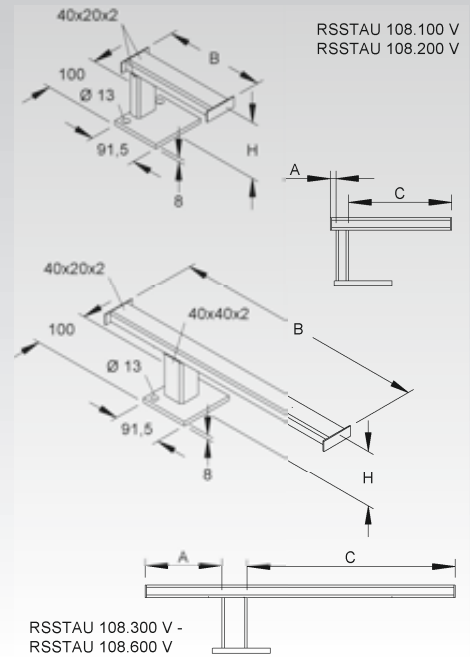
Item also available in different heights



Floor Stand

asymmetric, solid channel with closed ends

	Model no.	Height H		Width B		Dist. A		Dist. C		Weight per 100 piece kg	Pack/Box Qty
		mm	Inch	mm	Inch	mm	Inch	mm	Inch		
V	RSSTAU 108.100 V	108	4,3	92	3,6	12	0,5	60	2,4	86,75	1
V	RSSTAU 108.200 V	108	4,3	192	7,6	12	0,5	160	6,3	103,52	1
V	RSSTAU 108.300 V	108	4,3	292	11,5	18	0,7	234	9,2	125,32	1
V	RSSTAU 108.400 V	108	4,3	392	15,4	18	0,7	334	13,1	142,10	1
V	RSSTAU 108.500 V	108	4,3	492	19,4	118	4,6	334	13,1	158,87	1
V	RSSTAU 108.600 V	108	4,3	592	23,3	218	8,6	334	13,1	175,65	1

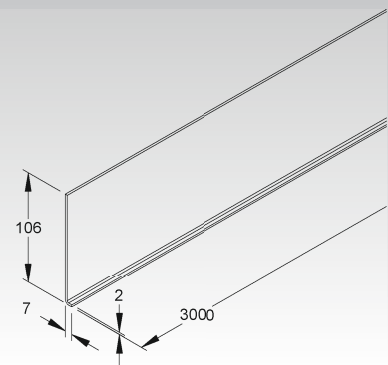


Skirting Panel

	Model no.	Height H		Width B	Length L	Thick-ness t mm	Weight per 100 m kg	Pack/Box Qty		
		mm	Inch							
S	VBASB 106.7-2.0/3000 S	106	4,2	7	0,3	3000	118,1	2	172,59	3 m

for shielding the space underneath walkable cable trays

Suitable for: floor stand RSSTAU 108...

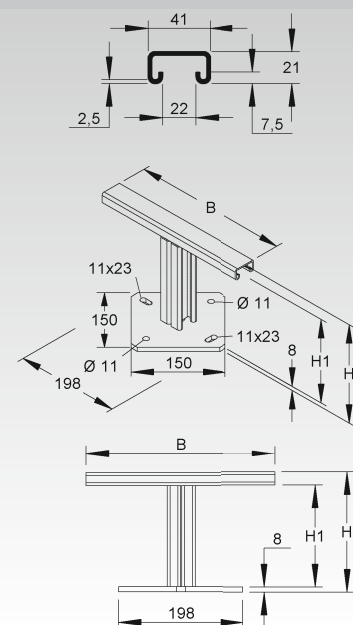


Floor Stand

symmetrical, made from toothed 2997 framing channel

	Model no.	Height H		Height H1	Width B	Weight per 100 kg	Pack/Box Qty	
		mm	Inch					
V	RSSBP 90.100 V	90	3,5	61	100	3,9	174,63	1
V	RSSBP 90.200 V	90	3,5	61	200	7,9	192,77	1
V	RSSBP 90.300 V	90	3,5	61	300	11,8	210,92	1
V	RSSBP 90.400 V	90	3,5	61	400	15,7	229,07	1
V	RSSBP 90.500 V	90	3,5	61	500	19,7	247,21	1
V	RSSBP 90.600 V	90	3,5	61	600	23,6	265,36	1
V	RSSBP 190.100 V	190	7,5	161	100	3,9	210,92	1
V	RSSBP 190.200 V	190	7,5	161	200	7,9	229,06	1
V	RSSBP 190.300 V	190	7,5	161	300	11,8	247,21	1
V	RSSBP 190.400 V	190	7,5	161	400	15,7	265,36	1
V	RSSBP 190.500 V	190	7,5	161	500	19,7	283,50	1
V	RSSBP 190.600 V	190	7,5	161	600	23,6	301,65	1

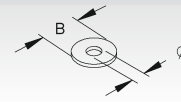
Hardware not included.



WALKABLE CABLE TRAY SYSTEM

Large Diameter Washer

Model no.	Diameter of mounting hole mm	Width B mm Inch	Weight per 100 pcs kg	Pack/Box Qty
V UGM 8	8,4	24 0,9	0,68	100
E3 UGM 8 E3	8,4	24 0,9	0,68	100



Carriage Bolt with Nut

serrated flange nut included

Model no.	Thread M	Length L mm Inch	Strength category	Weight per 100 pcs kg	Pack/Box Qty
V FLM 6X12	6	12 0,5	-	0,79	100
F FLM 8X16 F	8	16 0,6	8.8	2,09	50

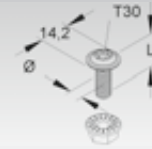


Pan-Head Torx Bolt

serrated flange nut included

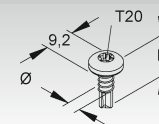
Model no.	Thread M	Length L mm Inch	Strength category	Weight per 100 piece kg	Pack/Box Qty
V LFM 6X16-TX V	6	16 0,6	-	0,88	50

for fitting cable trays on spacer plates/brackets and for fitting dividers, etc.



Self-Tapping Screw with Pan-Head

Model no.	Thread M	Length L mm Inch	Strength category	Weight per 100 piece kg	Pack/Box Qty
V B 4.2X13-TX V	4,2	13 0,5	-	0,18	1000



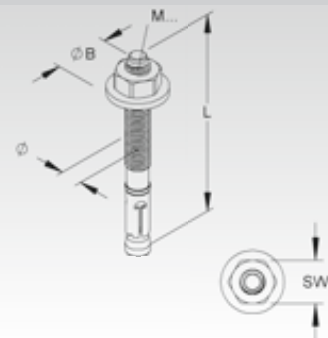
Expansion Anchor

Approval No.: ETA-18/0542, with nut and large washer

Model no.	Connection thread metric	Length L mm Inch	Diameter drillhole mm	Washer diameter mm	Clamping range t fix mm	Effective anchoring depth h ef mm	Weight per 100 pcs kg	Pack/Box Qty
V DAZ 8X10	8	75 3	8	24	≤ 10	45	3,16	50
V DAZ 10X10	10	95 3,7	10	25	≤ 10	60	6,33	50
V DAZ 12X10	12	110 4,3	12	30	≤ 10	70	10,27	20

Please always follow the enclosed installation instructions and contact Niedax for detailed technical specifications.

Please also note the following additional approval:
DoP No. NI 002



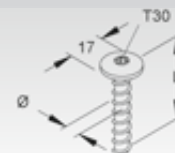
Concrete Screw Anchor

Approval no.: ETA 15/0784, Torx T30 large diameter pan-head

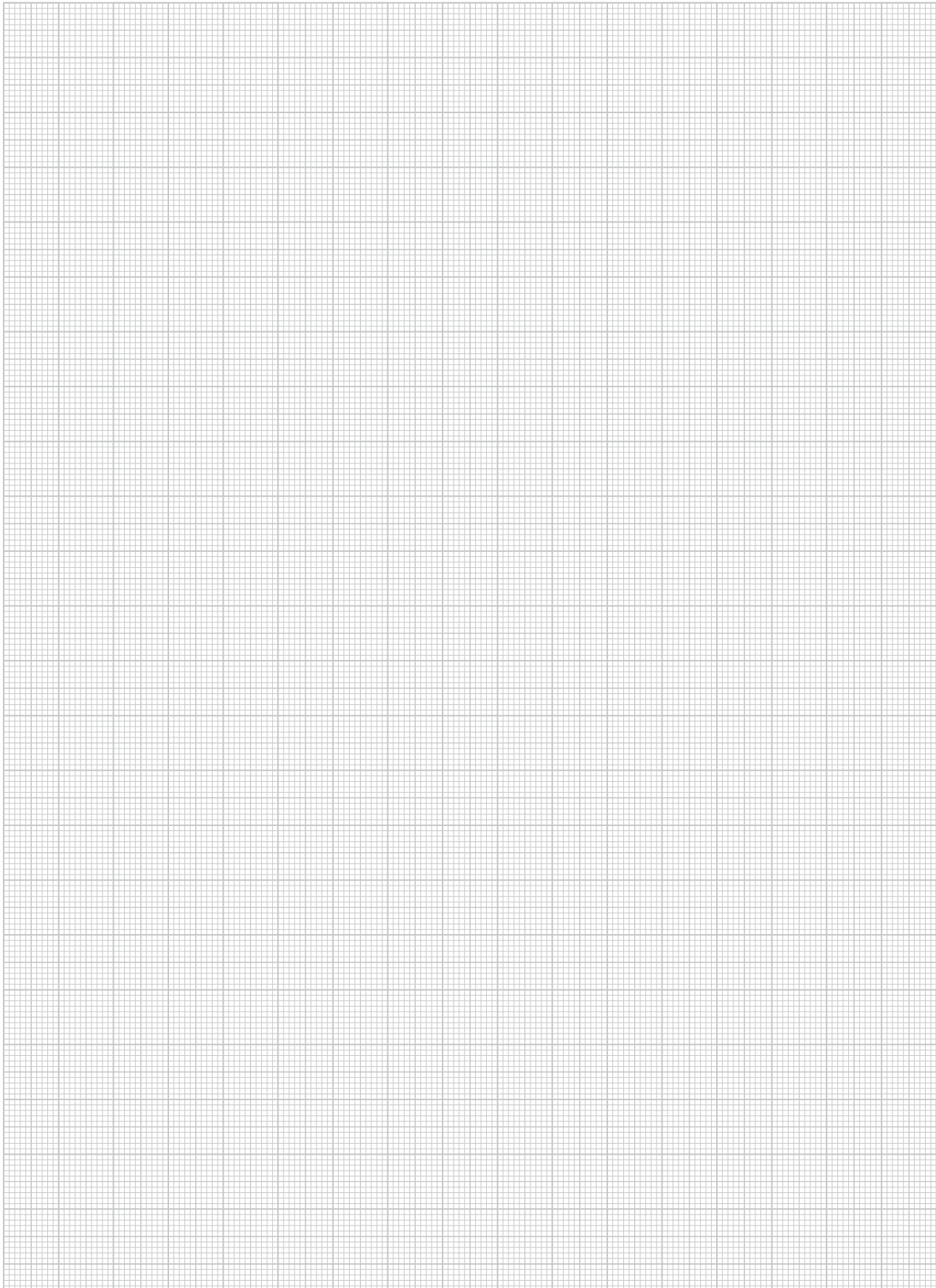
Model no.	Diameter (Ø) mm	Length L mm Inch	Drive size	Diameter drillhole mm	Max. mounting thickness mm	Weight per 100 kg	Pack/Box Qty
V NSA 7.5X40/FGK-T30 V	7,5	40 1,6	T30	6	5	1,38	100
V NSA 7.5X50/FGK-T30 V	7,5	50 2	T30	6	15	1,62	100

for indoor use only

Suitable for: mounting e.g. framing channel
Recommended screw tightening torque 20 Nm



NOTES

A large rectangular area filled with a fine grid of light gray lines, intended for taking notes. The grid consists of small, uniform squares covering the majority of the page's content area.